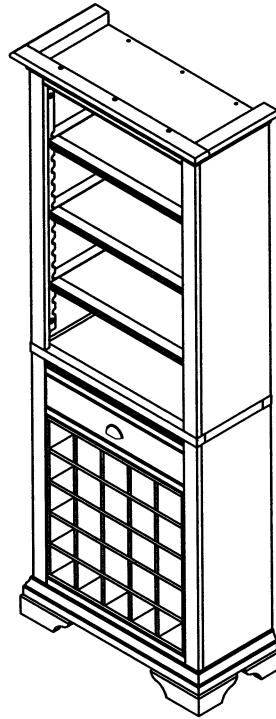


HAMPSTEAD WINE RACK

Stock number: 800X-26

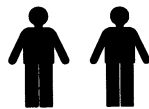
Thank you for purchasing this product. Please read the instructions carefully before use to ensure safe and satisfactory operation of this product.



Pre-assembly preparation

Please ensure instructions are read in full before attempting to assemble this product.

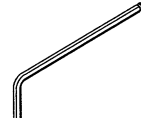
Necessary Tools



Pozi



(Included)



A cross head screwdriver only should be used to assemble this product, an electric drill may cause damage to the product and is not recommended.

Please check the pack contents before attempting to assemble this product. A full checklist of components is given in this leaflet. If any components are missing, please contact the retailer from whom you bought this product.

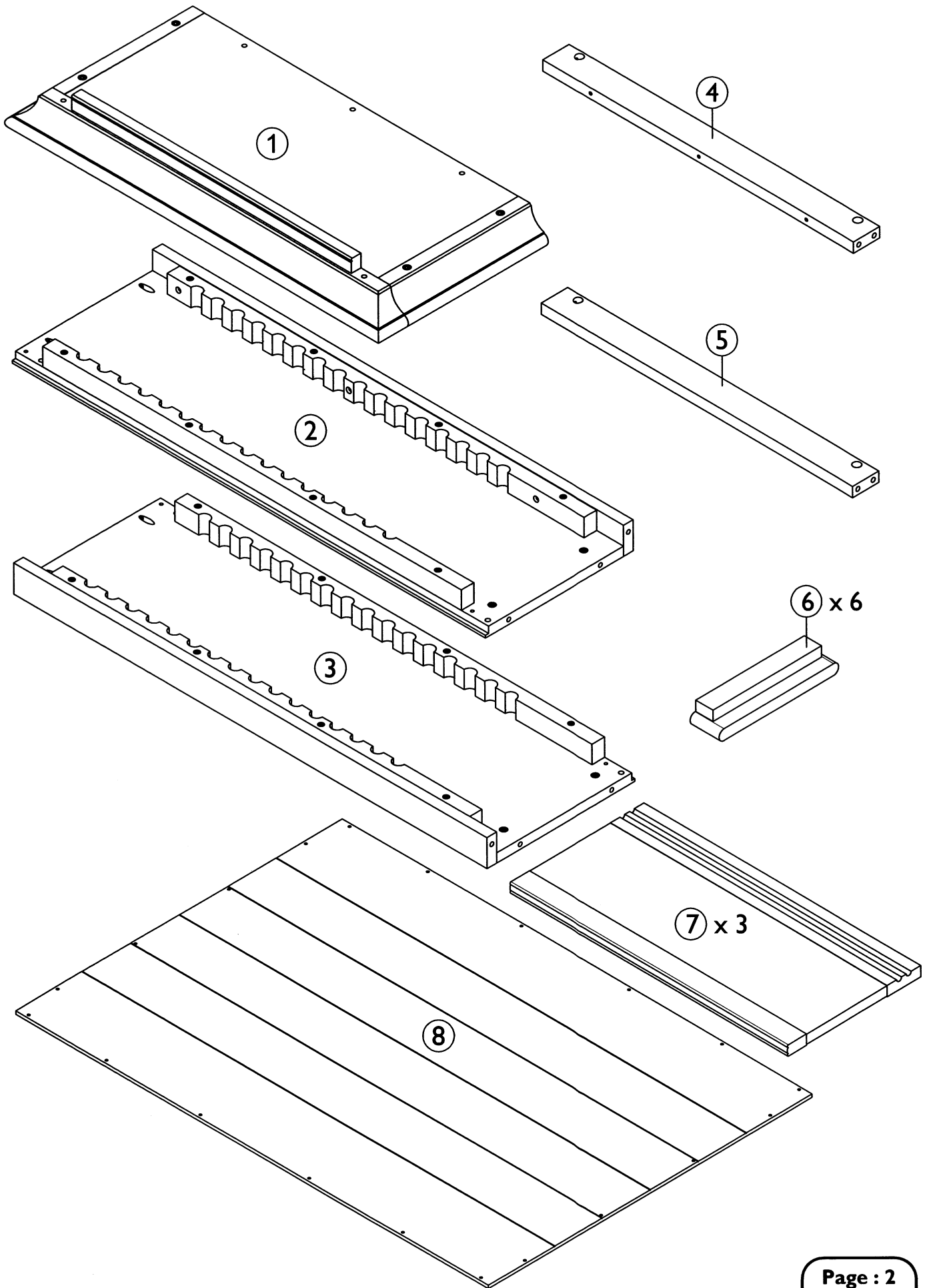
This product takes approximately **45 MINUTES** to assemble with **2 PEOPLE**.

All assembly should be performed on a flat, stable, clean and soft surface.

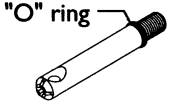


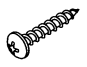
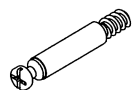
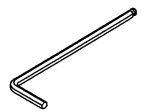

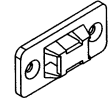
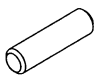

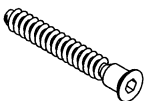

This product is **HEAVY**, it should be assembled as near as possible to the point of use. **TAKE CARE WHEN LIFTING** to avoid personal injury and (or) damage to the product

The fitting pack contains **SMALL ITEMS** which should be **KEPT AWAY FROM YOUNG CHILDREN**.

IMPORTANT: Retain these instructions for future reference.



Fittings and parts checklist Wine rack top

Item	Description	Qty.		Item	Description	Qty.
1	Top panel	x 1		5	Bottom back rail	x 1
2	Left side panel	x 1		6	Wood shelf support	x 6
3	Right side panel	x 1		7	Adjustable shelf	x 3
4	Top back rail	x 1		8	Back panel	x 1
A	Steel dowel		x 4	G	Round head screw Ø4x15mm	 x 20
B	Grub screw		x 4	H	Round head screw Ø4x25mm	 x 4
C	Cam screw		x 4	J	Allen key	 x 1
D	Cam lock		x 4	aa	Mounting plate	 x 2
E	Dowel Ø8x30mm		x 6	bb	Nylon strap	 x 1
F	Hex head bolt Ø7x38mm		x 3	cc	Flat head screw Ø4x15mm	 x 2

Step By Step Assembly Instructions

Step 1

- 1.1: Lay all parts on a flat, stable, clean and soft surface.
- 1.2: Attach 4x cam screws (C) into the pre-drilled holes on left & right side panels (2) & (3) as shown. Use a screwdriver to turn fittings (C) clockwise to fix.
- 1.3: Attach 2x dowels (E) in the pre-drilled holes on side panel (3) & (4) as shown.

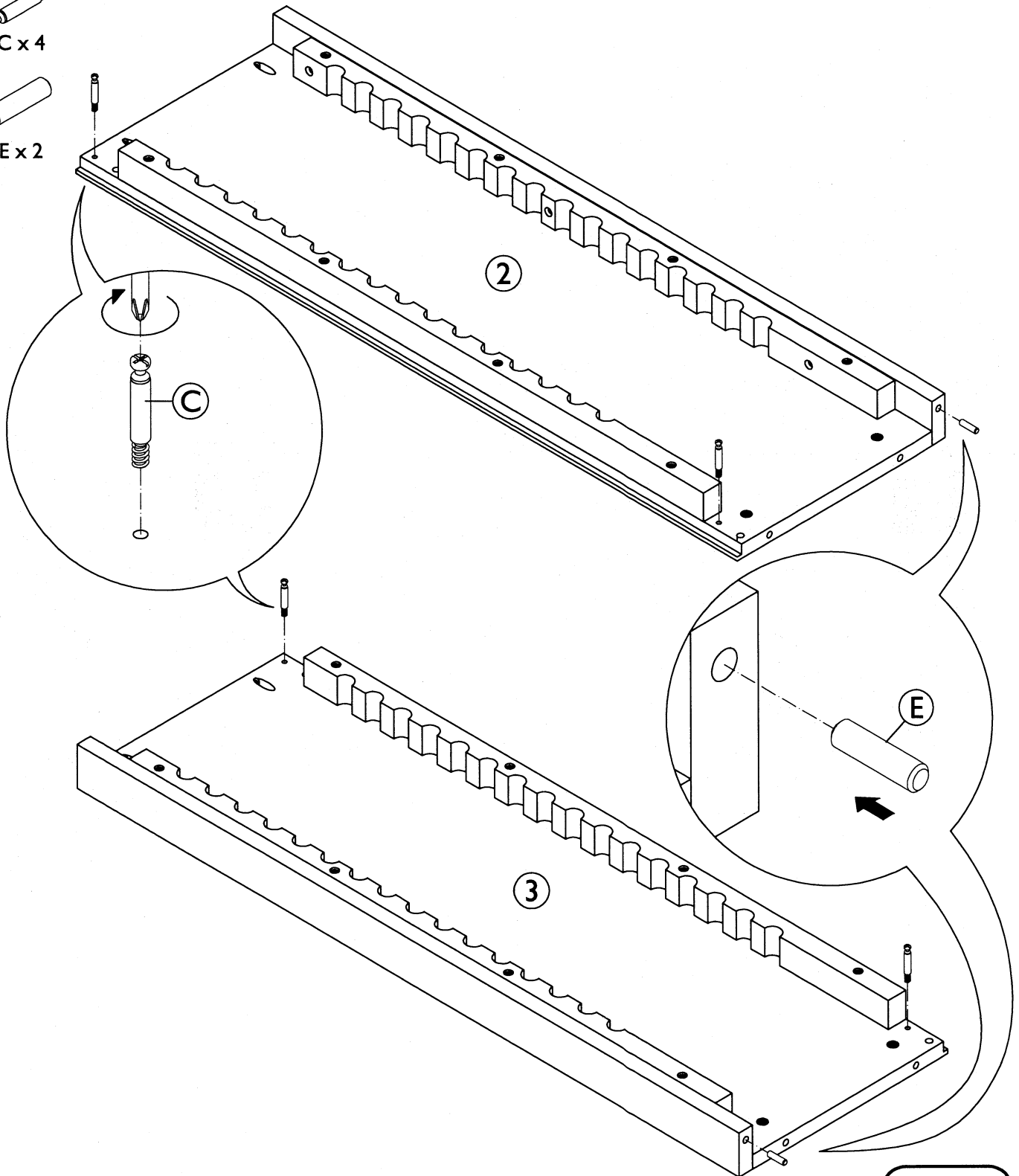
Fitting



C x 4

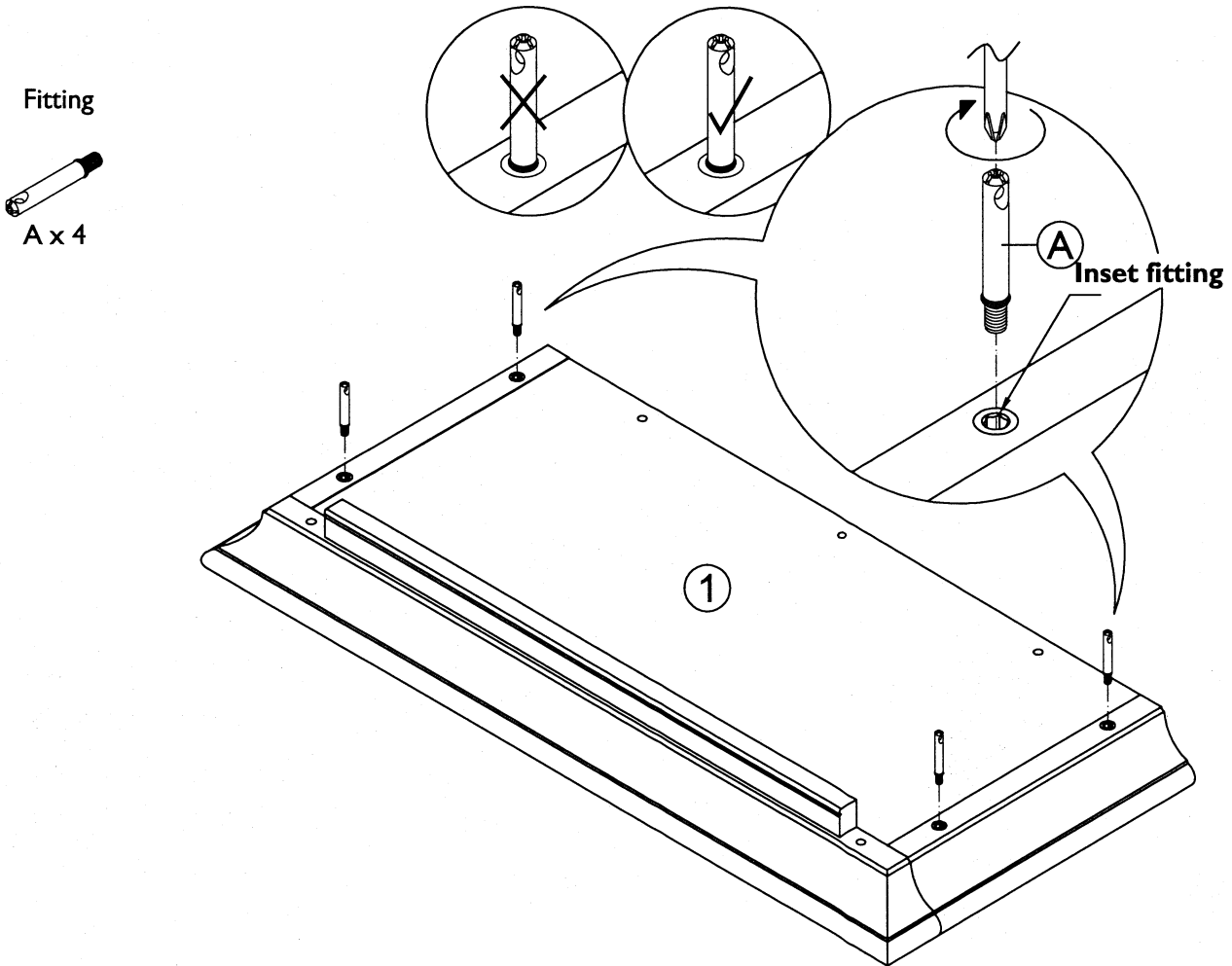


E x 2

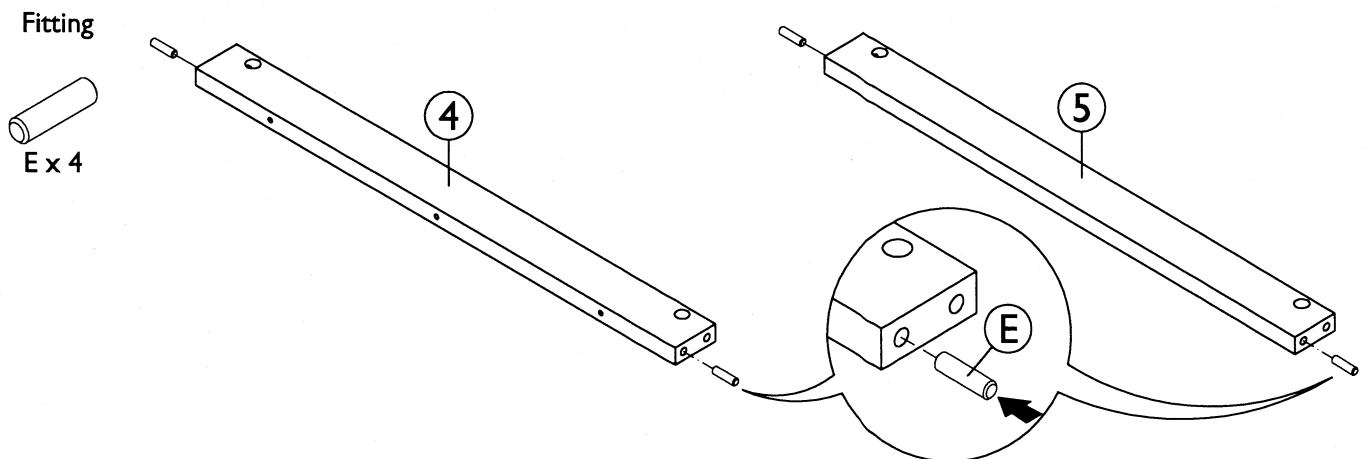


Step By Step Assembly Instructions

Step 2 : Attach 4x steel dowels (A) into top panel (1) by screwing fittings (A) into the inset fittings that are located inside top panel (1) as shown. Use a pozi screwdriver to turn fittings (A) clockwise to fix. Ensure the direction of the holes on fittings (A) are facing correctly as per diagram.



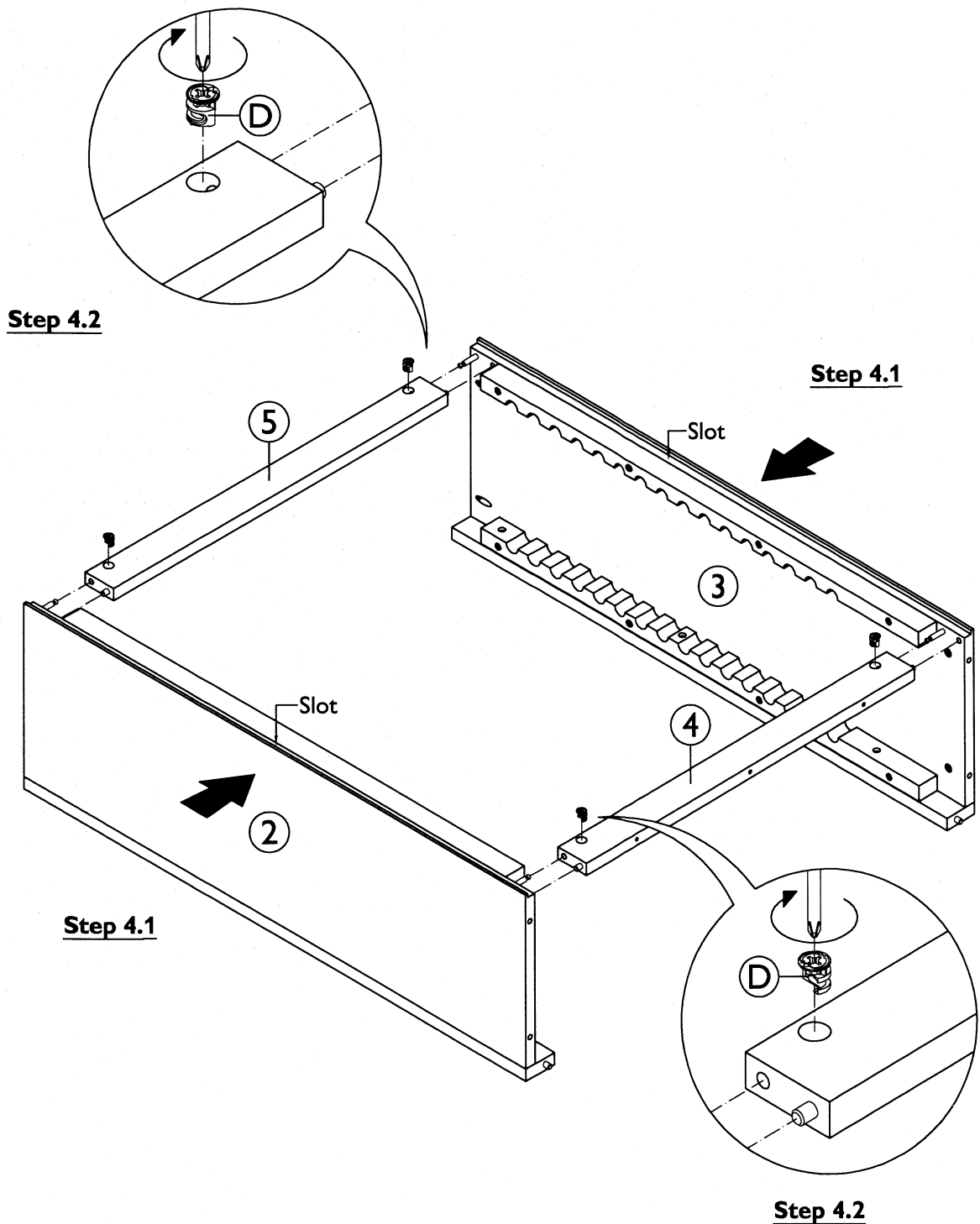
Step 3 : Attach 4x dowels (E) into the pre-drilled holes on top back rail (4) and bottom back rail (5) as shown.



Step By Step Assembly Instructions

- Step 4**
- 4.1 : Attach side panels (2) & (3) onto rails (4) & (5) as shown. Ensure cam screws (C) and dowels (E) are aligned correctly with the holes of mating parts before attaching.
 - 4.2 : Secure parts (2) & (3) to parts (4) & (5) using 4x cam locks (D) as shown. Use a screwdriver to turn fittings (D) clockwise to fix.

Fitting



Step By Step Assembly Instructions

- Step 5**
- 5.1 : Attach top panel (1) onto side panels (2) & (3) as shown. Ensure steel dowels (A) and dowels (E) are aligned correctly with the holes of mating parts before attaching.
 - 5.2 : Secure part (1) to parts (2) & (3) using 4x grub screws (B) as shown. Use a screwdriver to turn fittings (B) clockwise to fix.
 - 5.3 : Secure part (1) to part (4) using 3x hex head bolts (F) as shown. Use allen key (J) to turn fittings (F) clockwise to fix.

Fitting



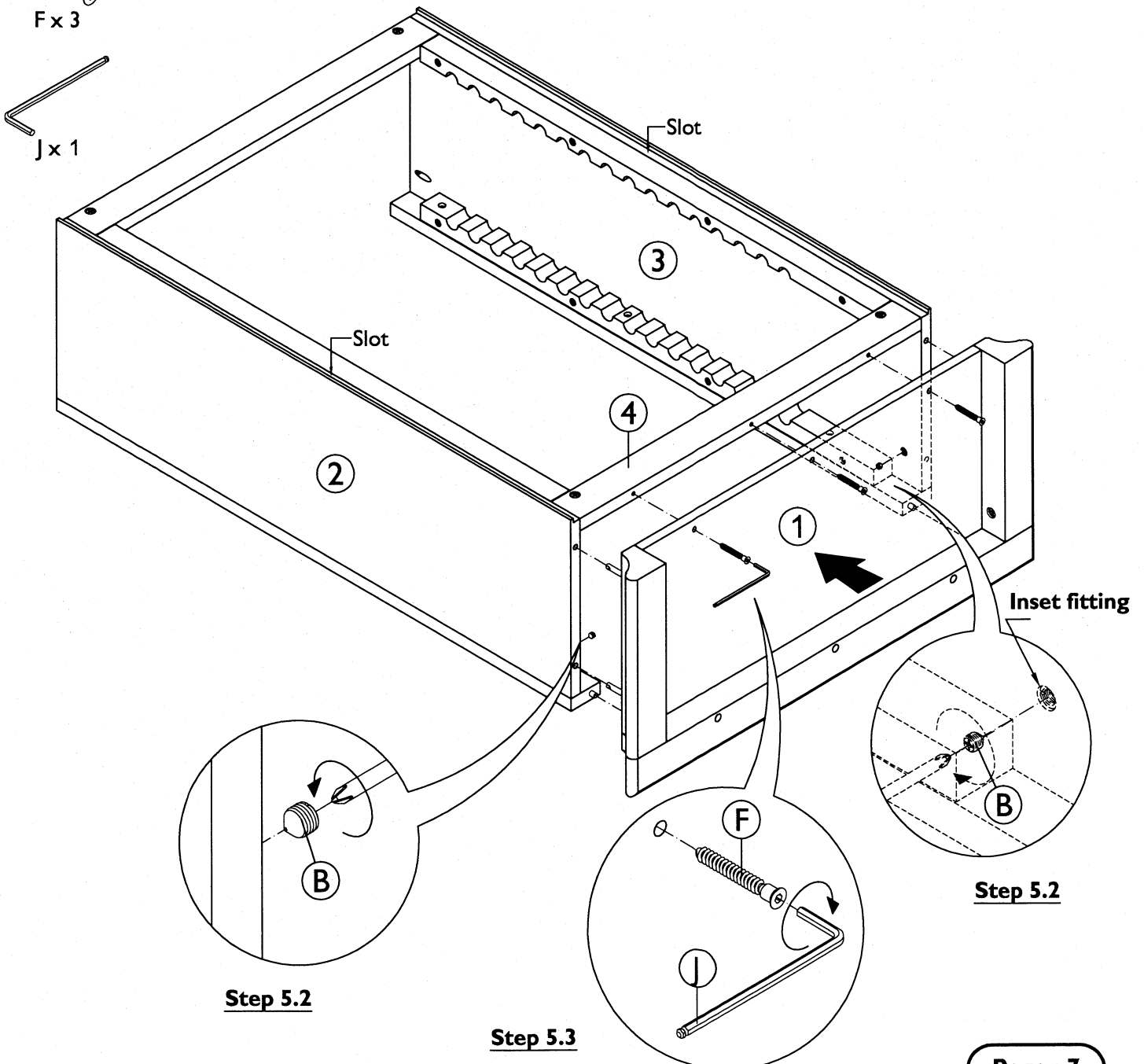
B x 4



F x 3



J x 1



Step 5.2

Step 5.3

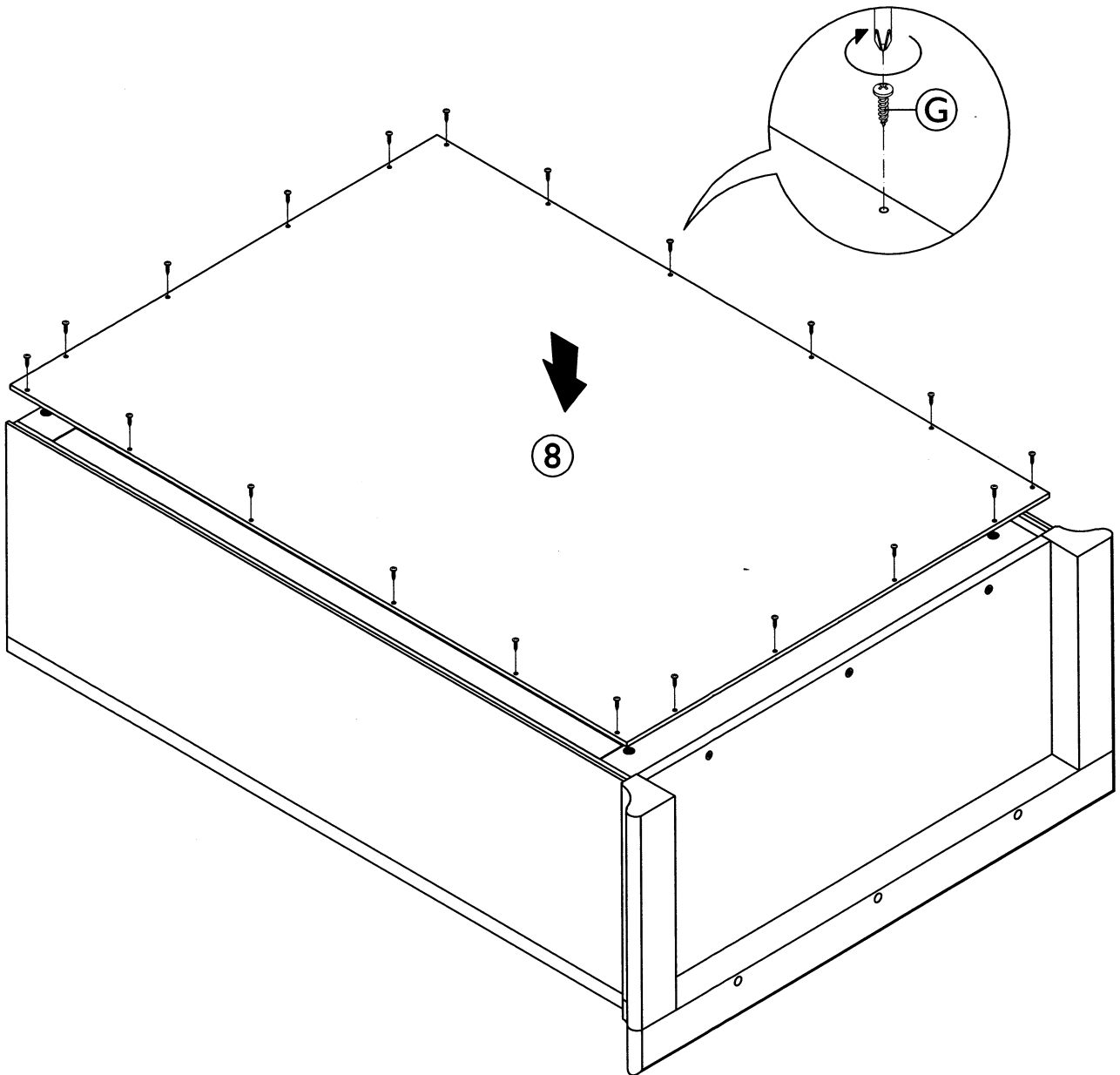
Step 5.2

Page : 7

Step By Step Assembly Instructions

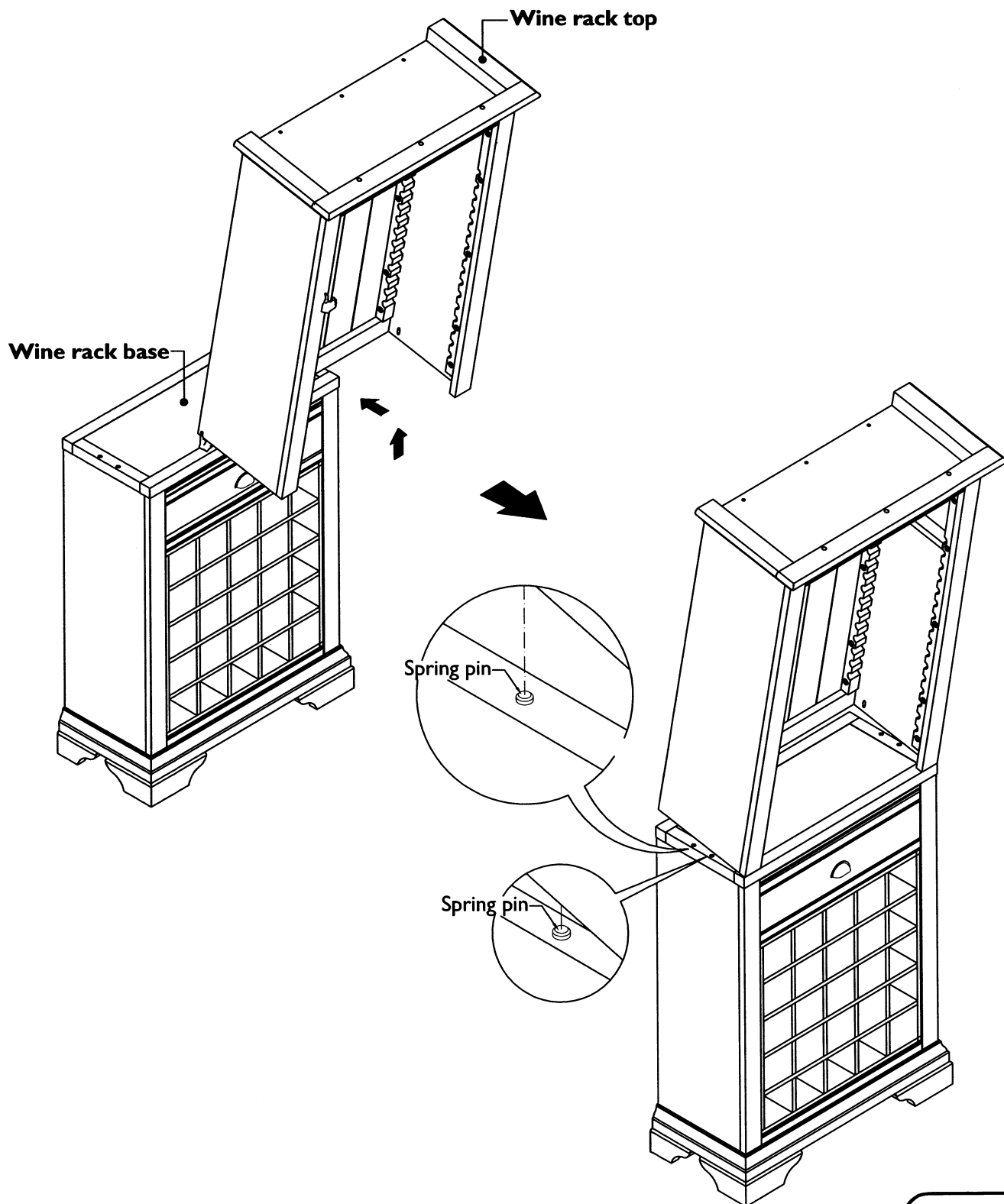
Step 6 : Attach back panel (8) onto back side of the unit using 20x round head screws (G) as shown. Use a screwdriver to turn fittings (G) clockwise to fix.

Fitting



Step By Step Assembly Instructions

- Step 7** **Note:** This product is heavy, it should be assembled as near as possible to the point of use.
- : With help of assistant, carefully lift the wine rack top upwards over the wine rack base.
 - : Carefully lower wine rack top onto wine rack base. Ensure the holes under wine rack top are aligned correctly with the mating spring pins on wine rack base to avoid damage as shown.



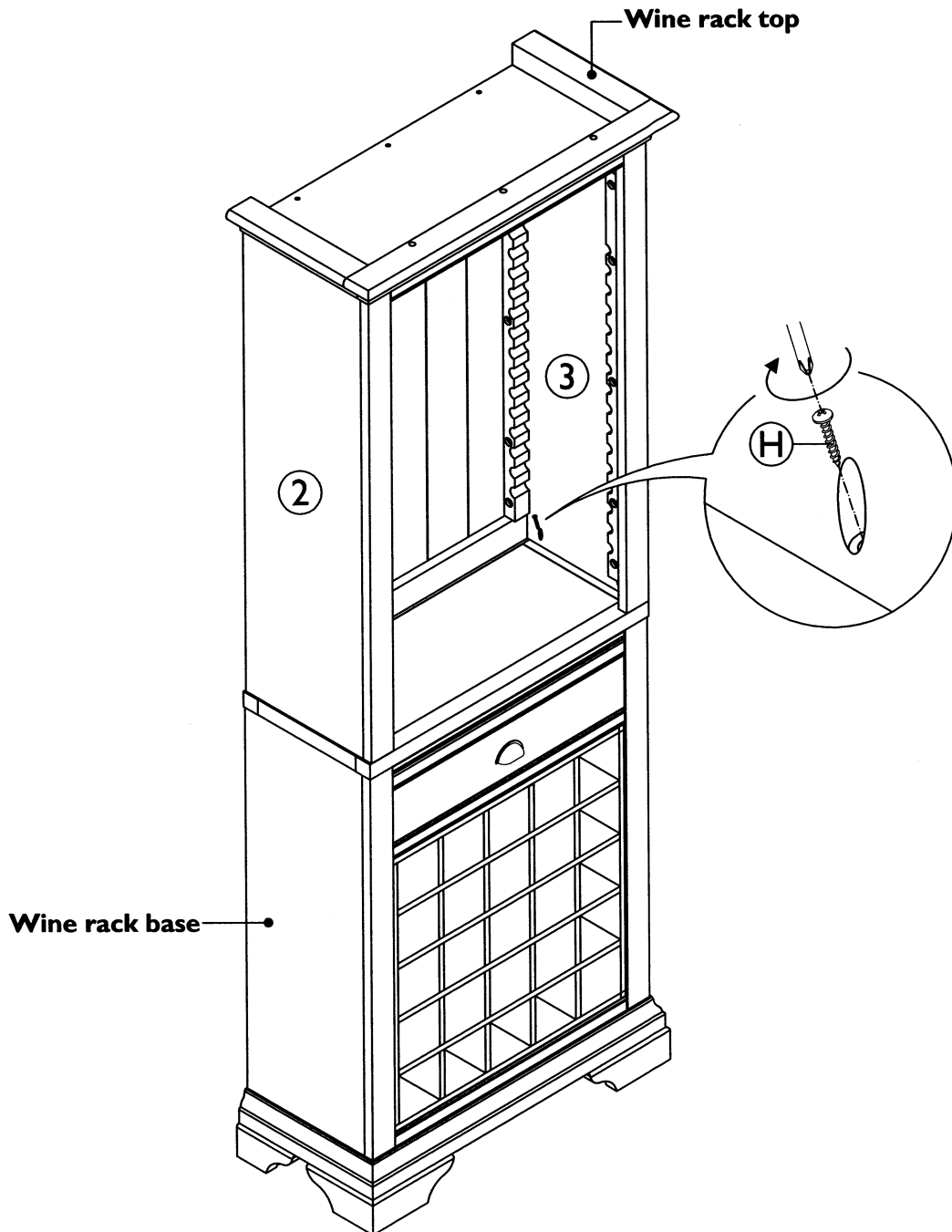
Step By Step Assembly Instructions

Step 8 : Secure wine rack top to wine rack base by screwing 4x round head screws (H) into the pre-drilled holes on left & right side panels (2) & (3) as shown. Use a screwdriver to turn fittings (H) clockwise to fix.

Fitting

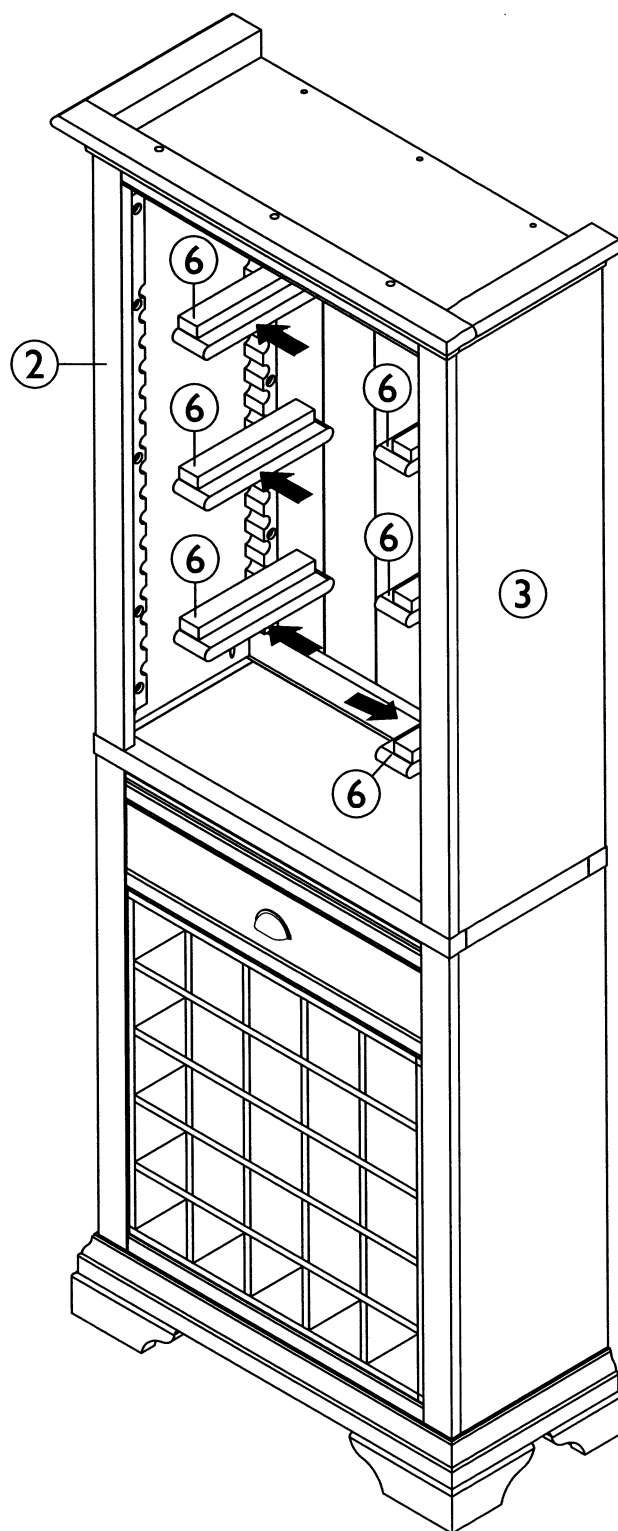


H x 4



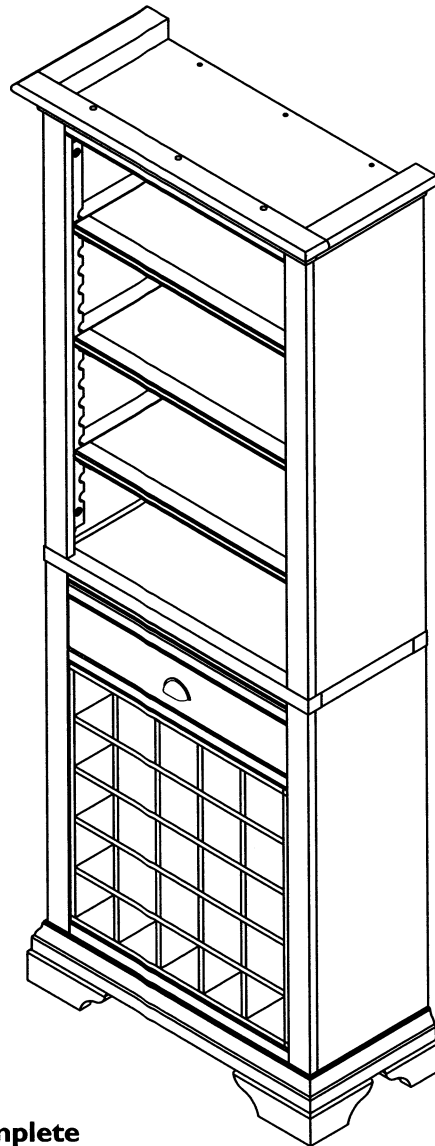
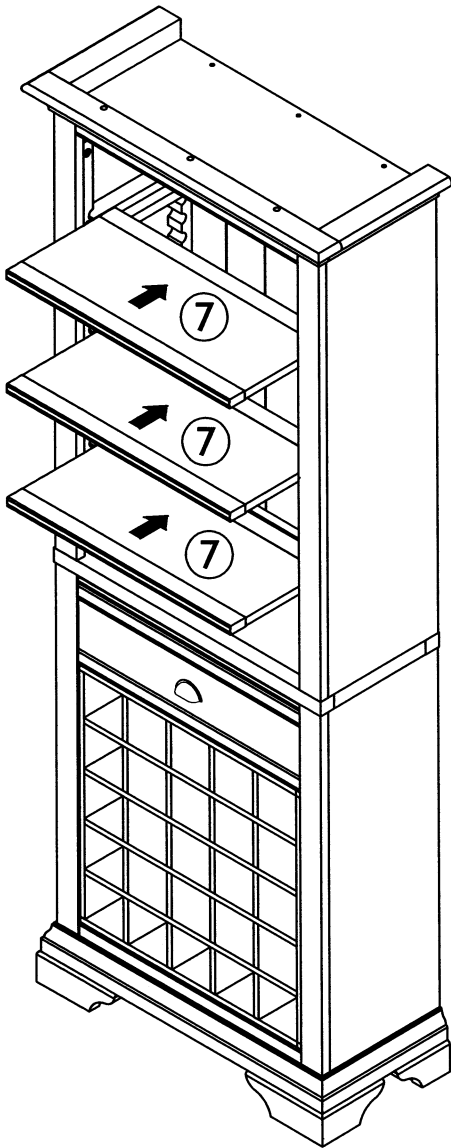
Step By Step Assembly Instructions

Step 9 : Attach 6x wood shelf supports (6) into the slots on side panels (2) & (3) of the unit as shown.



Step By Step Assembly Instructions

Step 10 : Place adjustable shelves (7) onto wood shelf supports (6) then slide wood shelves (7) into the unit.



Assembly is complete

TIP KIT INSTRUCTIONS

Notice:

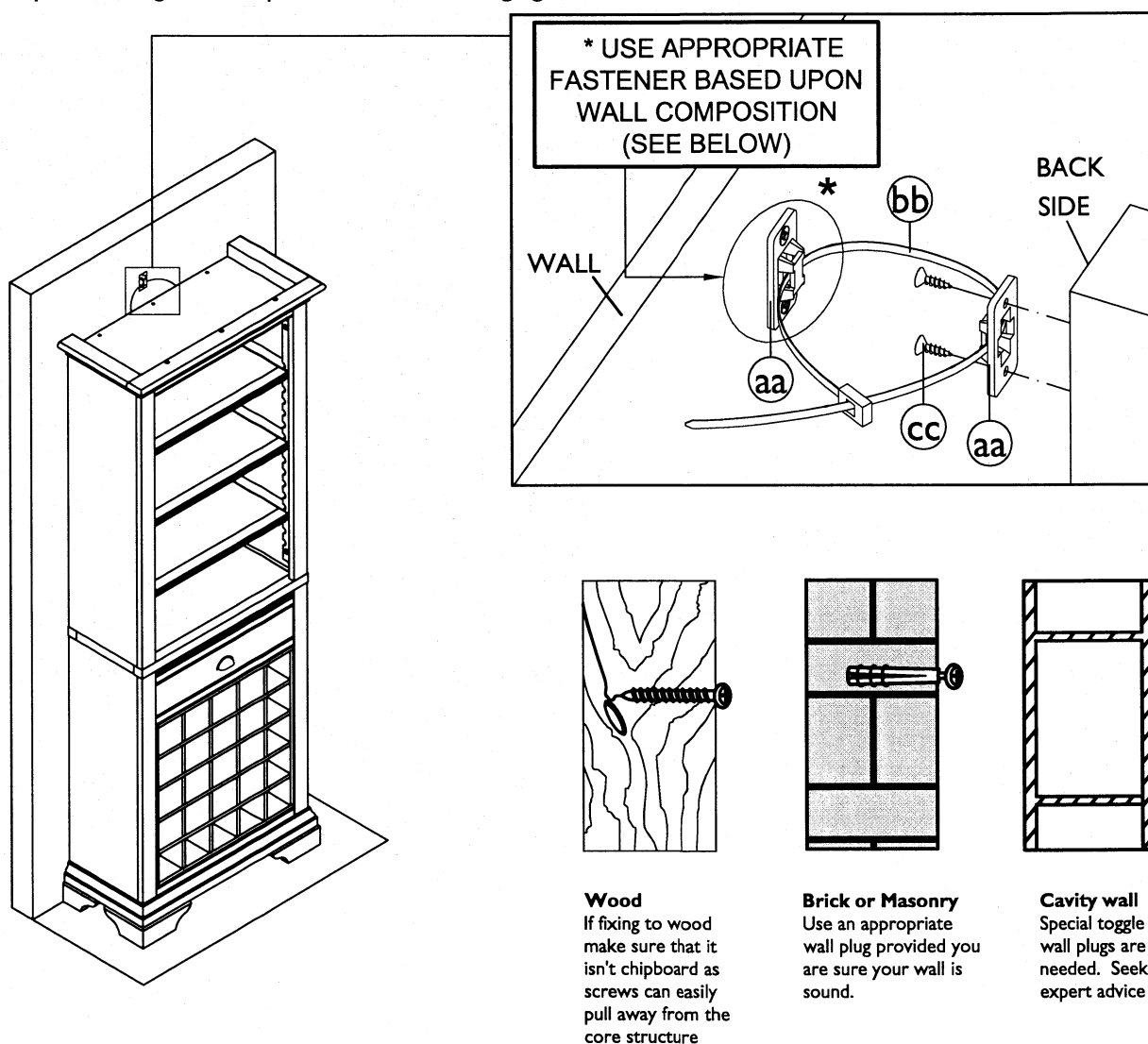
Notice: To prevent injury and property damage from unexpected tipping of furniture, we highly recommend installation of the anti-tip kit included with this product.

Attaching furniture to wall with anti-tip kits

1. Determine where the piece is to be placed and mark location on the wall for the mounting bracket screw holes. They should be placed approximately 1" below the top on the back of the piece of furniture.
2. Drill the hole and use the appropriate wall plug that is suitable for your walls composition.

Warning: Before drilling check wall for hidden pipes and cables.

3. Attach the mounting bracket vertically to the wall using appropriate fastener, through the holes in the bracket and 2 wall plugs that are suitable to your wall and then tighten securely.
4. Next using the short screws attach the 2nd bracket to the back of the piece of furniture's top.
5. Lace the nylon strap down through the brackets. Slide the thin end of the strap through the receiving end on the nylon strap. Pull to tighten the piece of furniture snug against wall.



CARE INSTRUCTIONS:

1. Hardware may loosen overtime. Periodically check that all connections are tight and re-tighten as necessary.
2. Wipe with a soft, dry cloth. To protect finish, avoid the use of chemicals and household cleaners.

Care and Maintenance

Wood Furniture

Wood displays different grain patterns depending on which way they are cut - for example, the 'medullary ray' which can appear on oak furniture is a mark of good quality timber - these are just characteristics of the natural beauty of the wood.

Some furniture is also deliberately aged and rustic.

Wood veneers also allow distinctive patterns to be created on some surfaces, such as table tops and drawer fronts by the way slivers are arranged.

All timber and veneer surfaces will change colour and mellow over time. New furniture will initially vary in shade from items that have been previously purchased.

How to care for your wood furniture

Dust with a clean, damp, lint free cloth. Frequent dusting will remove abrasive build up, which can damage the finish over time.

Do not use a very wet cloth or allow any liquid to contact with the veneers for a long period of time as this can permanently damage the surface. Wipe up spills immediately.

Do not use any abrasive cleaner or harsh detergent as this can damage the surface of the furniture.

Spray polishes are best avoided as they contain silicones which may spoil the furniture's surface when building up over time.

Make sure all surfaces are protected from heat and liquids by mats and coasters.

Ensure that a mat or pad is placed under paper when you are writing on the furniture surface.

Do not place rubber, cork, vinyl or plastic materials on the wood finish as chemicals within may react with the finish if left in contact for an extended period of time.

Our furniture will endure most temperatures in the home but it is best to avoid placing furniture next to heat sources such as radiators or fires. Be particularly careful with solid wood as the lack of humidity caused by home heating can cause damage such as warping, cracking or splitting.

Excessive exposure to sunlight can cause fading of your furniture.

Avoid exposing your furniture to any liquids. All liquids should be wiped up immediately with a soft, slightly damp cloth in the direction of the wood grain. If sticky liquid residues do occur, they may be removed with a dilute solution of warm soapy water followed by a clean, damp sponge. The area should then be wiped immediately in the direction of the wood grain with a clean, soft white cloth until completely dry.

Nail polish remover, hairspray, perfume, potpourri & any other products that contains solvents can damage wood upholstery finishes.

Safety Instructions:

Never drag furniture when moving it. Always lift it.

Periodically check all fixings to ensure none have come loose. Re-tighten when necessary.

Please take care when handling or moving the furniture as careless handling may cause damage or injury.

Furniture can be dangerous if incorrectly assembled. Assembly should be carried out by a competent person.

No liability will be accepted for damage or injury caused by incorrectly installed or assembled furniture.

Heavy item warning:

It is recommended to seek assistance when moving a heavy object. Take care when lifting to avoid personal injury and (or) damage to the product.

It is recommended that before moving a heavy object to a new location it is completely dis-assembled to avoid personal injury or damage to the furniture. Please be careful to retain all fittings when doing this.

PLEASE KEEP THESE INSTRUCTIONS FOR FUTURE REFERENCE

ECR # IMV 5376

B
4/12/13

M
5/12/13

~~ECR # 5376
Rang
02/12/13~~